



PIPE DIAMETER CAPABILITIES
8" - 36" CENTERED

MADE IN CANADA 🇨🇦



Battery operated



All-in-one control system



Fully submersible camera



Steerable

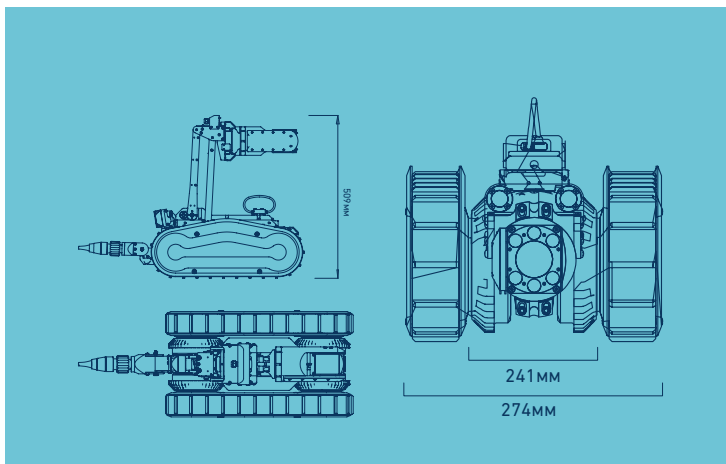
I WOULD HIGHLY RECOMMEND THE DT340 CRAWLER! THE CITY OF HOT SPRINGS ARKANSAS STORMWATER DIVISION PURCHASED THE UNIT IN 2017 AND HAVE INSPECTED THOUSANDS OF FEET OF STORMWATER SEWER PIPE WITH NO ISSUES.
DAM CARDER - CITY OF HOT SPRINGS ARKANSAS

Leave the CCTV truck behind

Built for municipal pipe inspections as small as 8" in diameter, the DT340 Pipe Crawler is fully submersible. Being battery operated removes the need for a CCTV truck, generator or onsite power supply.

Operate the DT340 Pipe Crawler with its easy to use handheld controller. View and record video, document inspections, and upload directly to an asset-management software.





Durable Construction

Designed to support tough jobs, the DT340 Pipe Crawler is made with anodized die-cast aluminum, stainless steel and a sapphire glass camera lens. Its magnetically coupled wheel drivers requires zero maintenance; no need to replace or grease.

Camera Specifications

Resolution

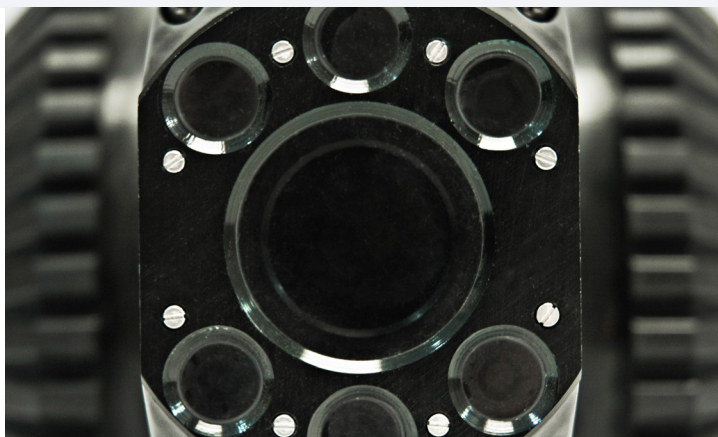
- Color 1/4" ccd
- 700HD tvl, 1.0 Lux
- 10X optical, 12x digital
- Auto shutter, auto/manual focus

Lights

- Dimmable
- Shadowless led flood

Camera Head

- Pan tilt zoom
- Tilt 280°
- Pan infinite (continuous)



Scalable design and assorted wheel options

The DT340 Pipe Crawler can be redesigned or upgraded to fit various pipe diameters. Interchange with various wheel options to inspect different pipe materials.

Fully Assembled - Fully Tested - Ready to Use.

DT340 'S' Crawler General Specifications

Length:	710 mm (27.95")
Width:	141 mm (5.55")
Height:	151 mm (5.96")
Weight:	16.6 kg (36.59 lb)
Materials:	Stainless Steel Aluminium High Strength sapphire
Depth Rating:	50 m (164 ft)
Viewing Capability:	Pipelines 200mm (8") Diameter to 900mm (36") Center
Wheels:	4 (optional sizes)
Tracks:	Optional
Turn Radius:	0 mm (0")
Speed:	12 m / min
Operating Temp:	-5C to 40C (23F - 104F)
Warranty:	1 Year - parts and labor

Electrical System

System:	19.2 VDC (Lithium Batteries)
Battery Run Time:	4 - 8 Hours
Battery Recharge:	1.5 Hours
Sensors:	Incline, Roll, Leak, Camera Pan/Tilt

Drive System

Power:	Planetary Gear Motor (2 pieces)
Wheel Control:	Steerable, Cruise Control, Infinitely Variable (Forward & Reverse)
Gear Train:	High Strength Oversized Gears
Final Drives:	Magnetically Coupled

Tether

Tether Diameter:	6.2 mm (0.24")
Tether Length:	200 m - 400 m (164 ft - 1,312 ft)
Tether Construction:	Polyurethane Outer Jacket with Embedded Synthetic Fibers
Minimum Breaking Strength:	450 kg (1000 lb)

Tether Reel

Construction:	Industrial tough; IP68
Intelligence:	Standalone Hall Effect Tether Length Counter (Optional)
Capacity:	400m (1,312 ft)
Operation:	Manual Coil // Active Free-Wheel Free-wheel Uncoil with Guide // powered reel

