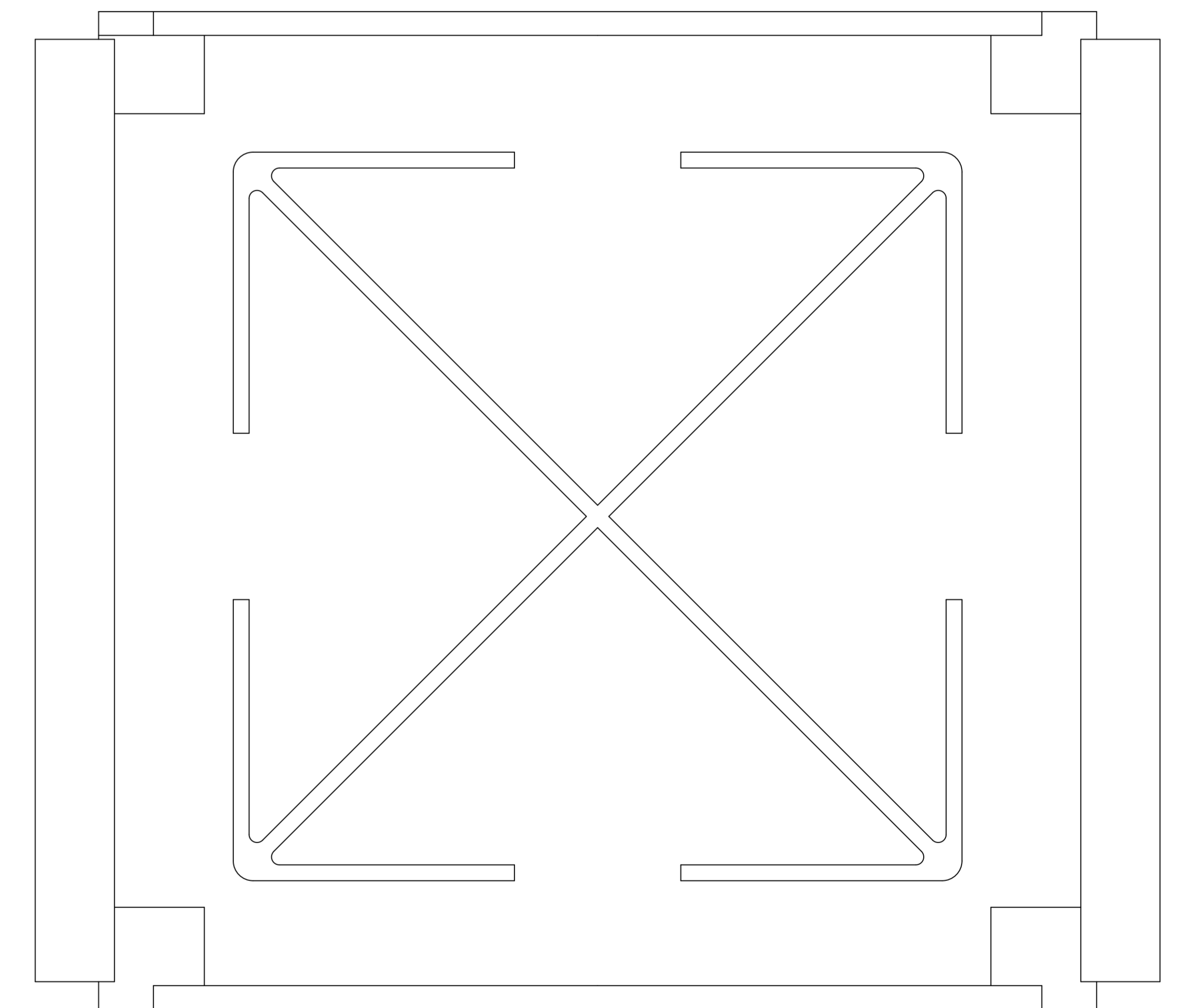
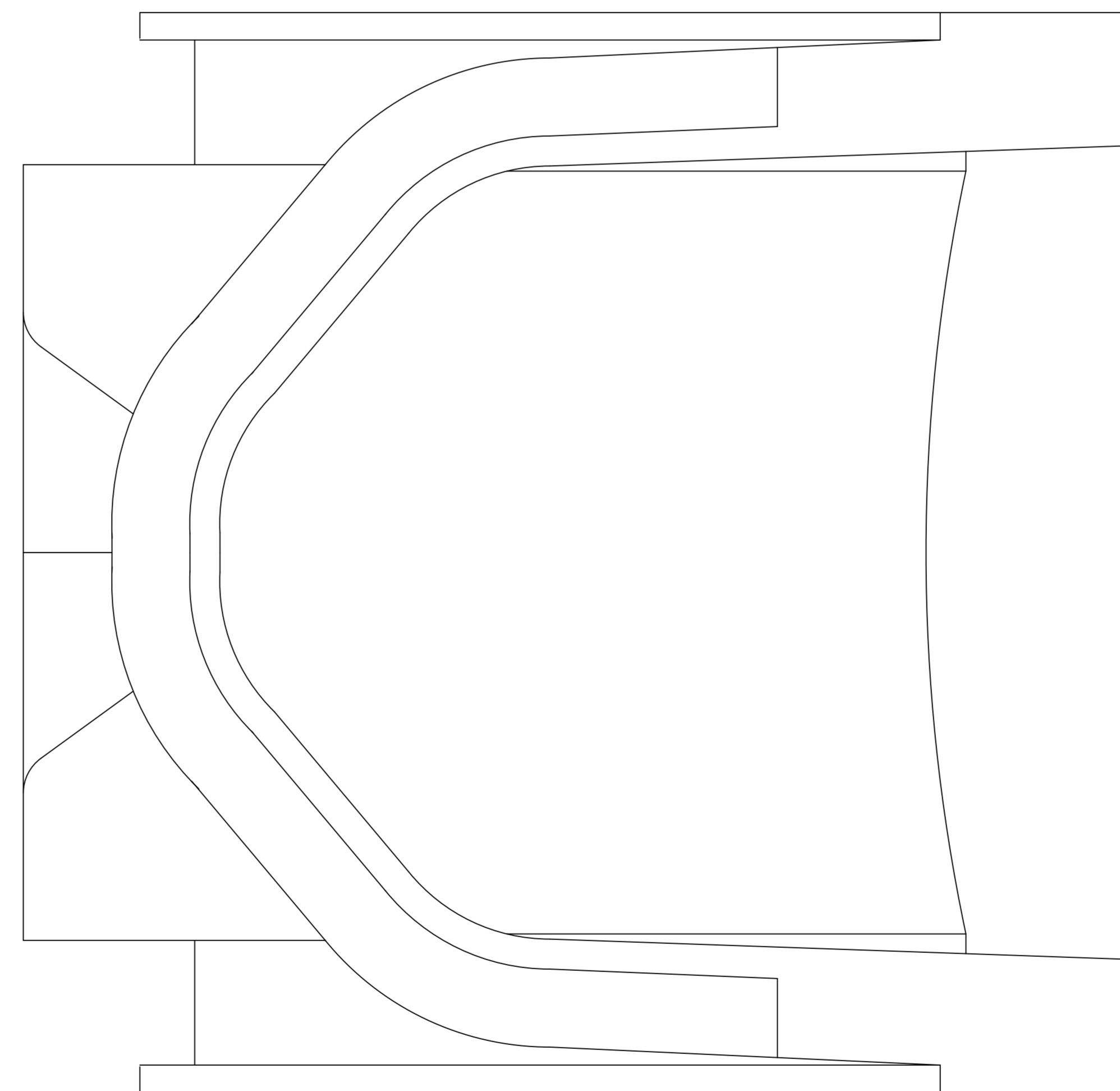
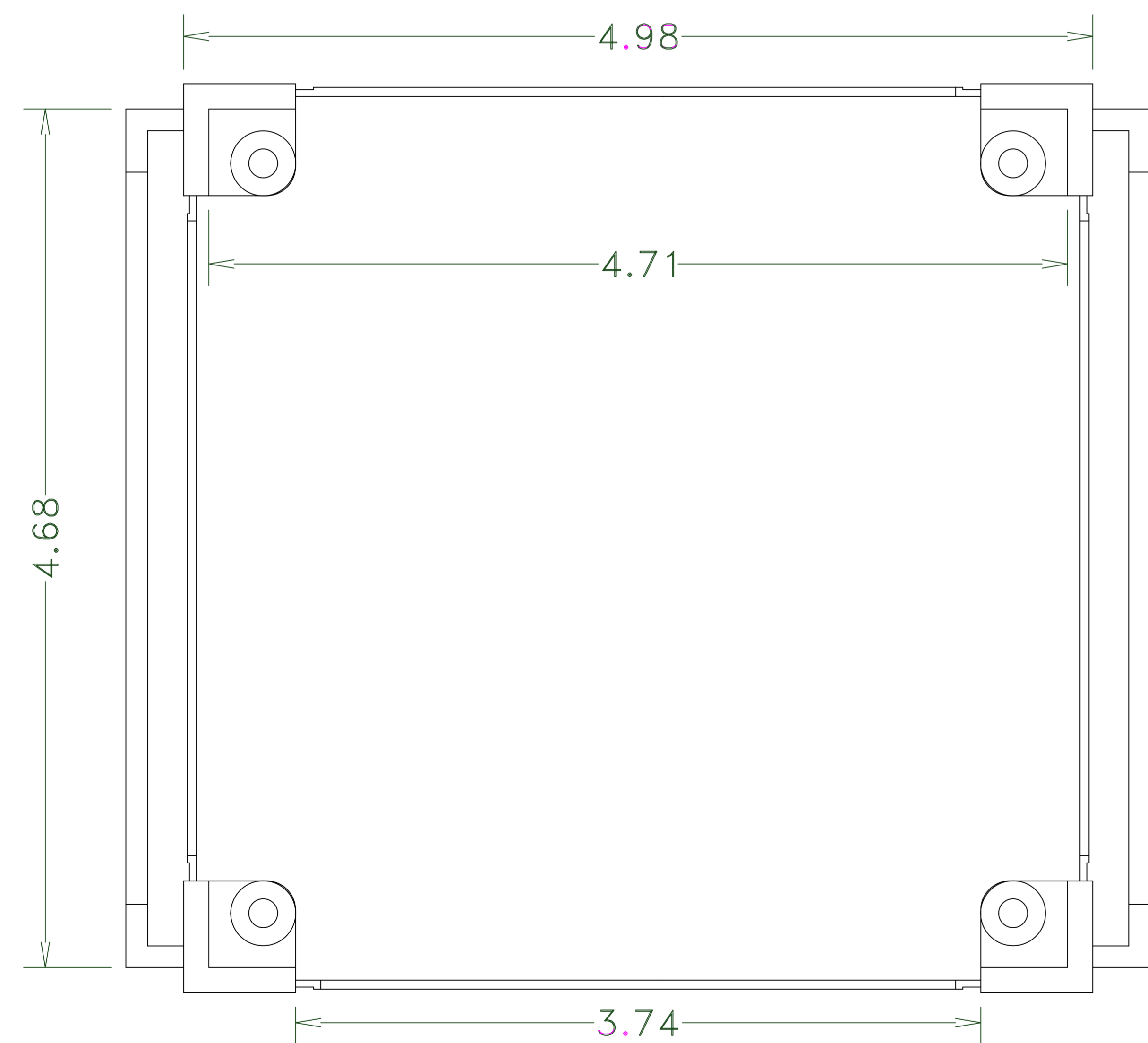


## Connects Source 1 Drainage Channel Sections in Tee, Ell & Cross Configurations



**NOTES:**  
 MATERIAL: POLYPROPYLENE COPLOYMER  
 TOLERANCES:  $\pm 0.008$  FOR DIMENSIONS UP TO 1 INCH,  $\pm 0.016$   
 FOR DIMENSIONS GREATER THAN 1 INCH. FLATNESS  $\pm 0.025$ .  
 ACROSS THE WIDTH OF COMPONENT.  
 DIMENSIONS: ALL INCHES UNLESS STATED.