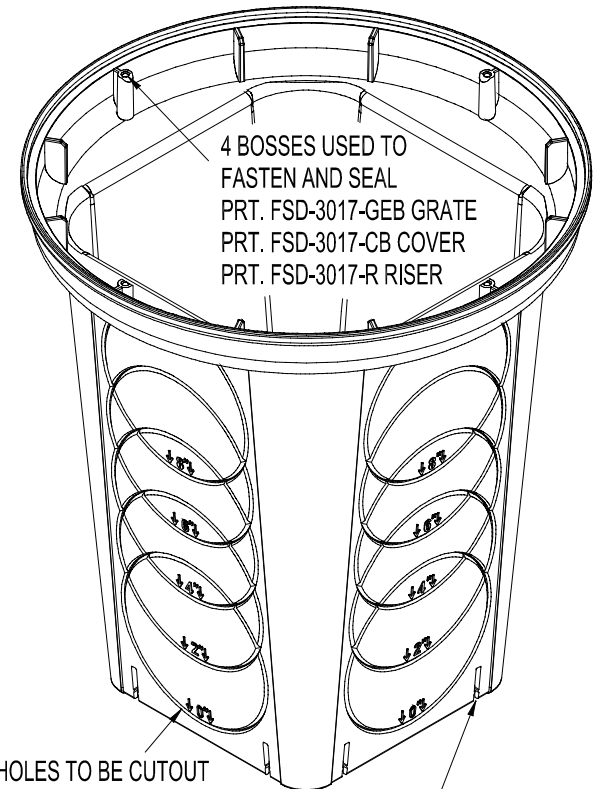
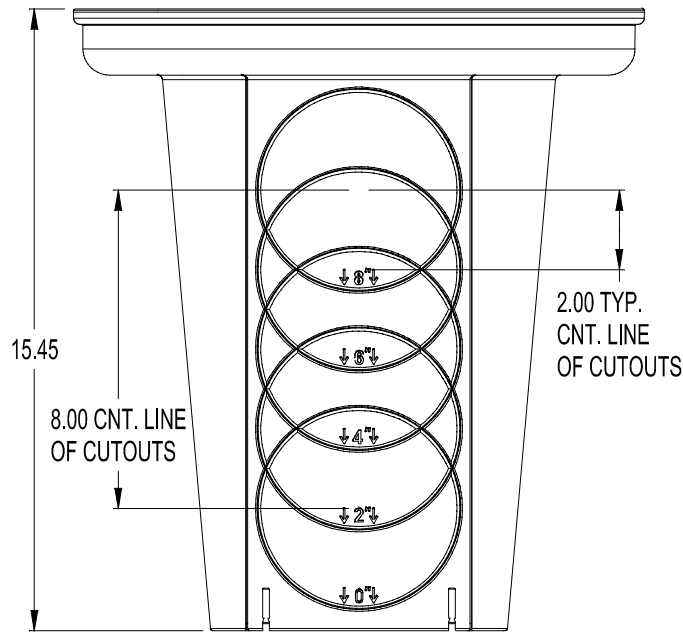
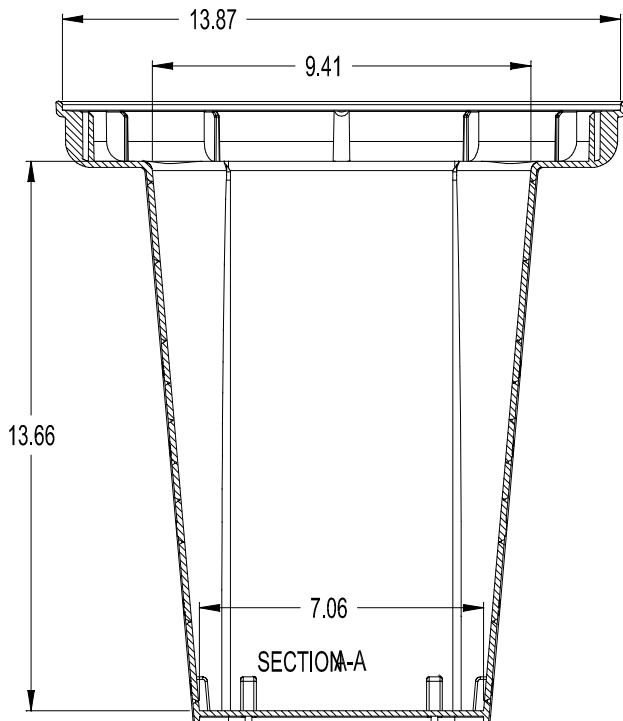


Ø14.19



HOLES TO BE CUTOUT AS NEEDED TO ACCEPT PRT. FSD-3001 D-BOX SEAL

SLOTS TO ACCEPT 4 LEVELING PADS



PART NO. - FSD-3017-HB
MATERIAL - POLYPROPYLENE
COLOR - BLACK
CAPACITY - 4 GALLONS