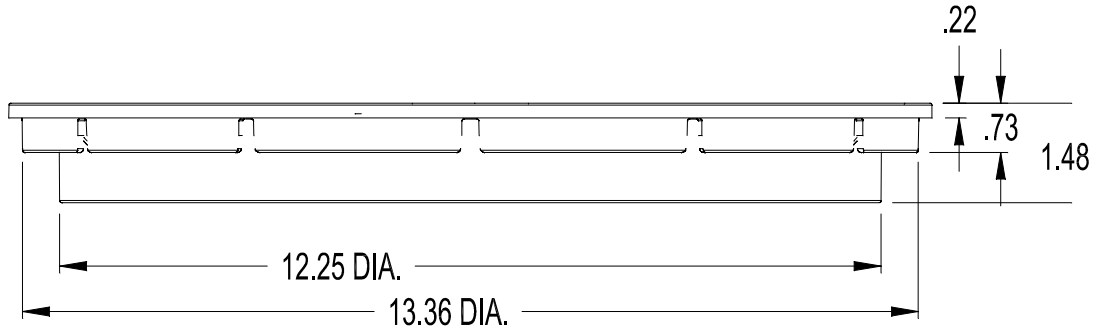
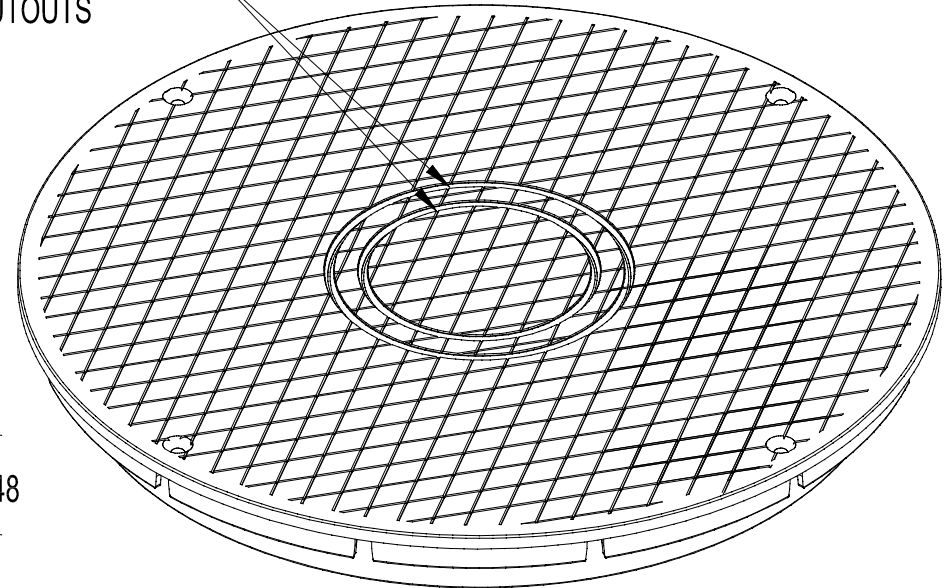


3" & 4" INSPECTION
PORT CUTOUTS



PART NO. FSD-3017-CB
MATERIAL - HDPE
COLOR - GREEN