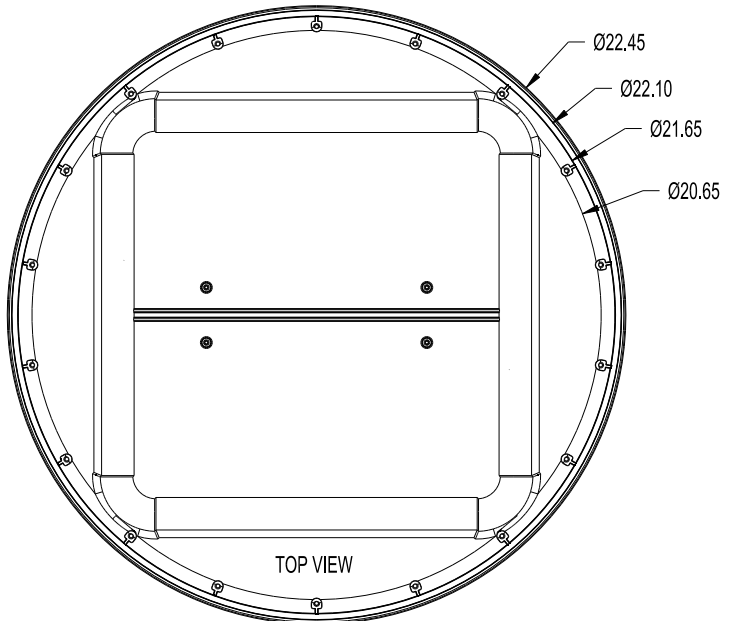
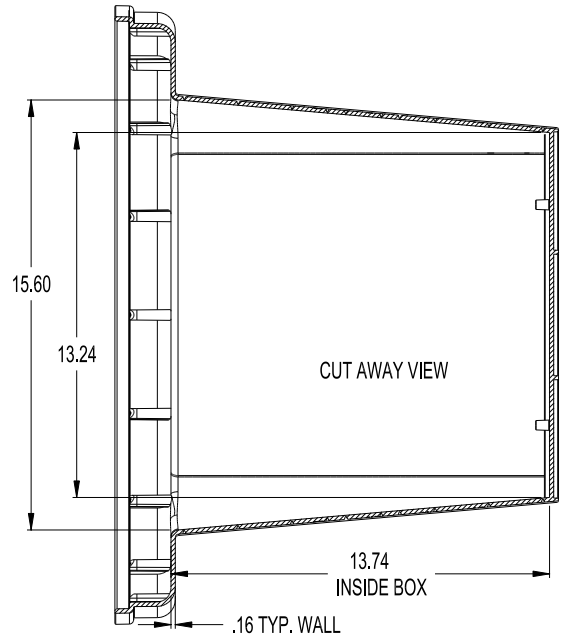


BOTTOM VIEW

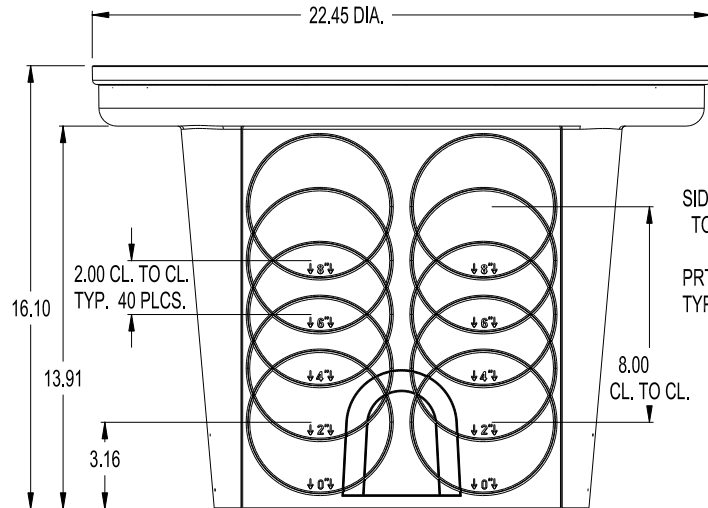
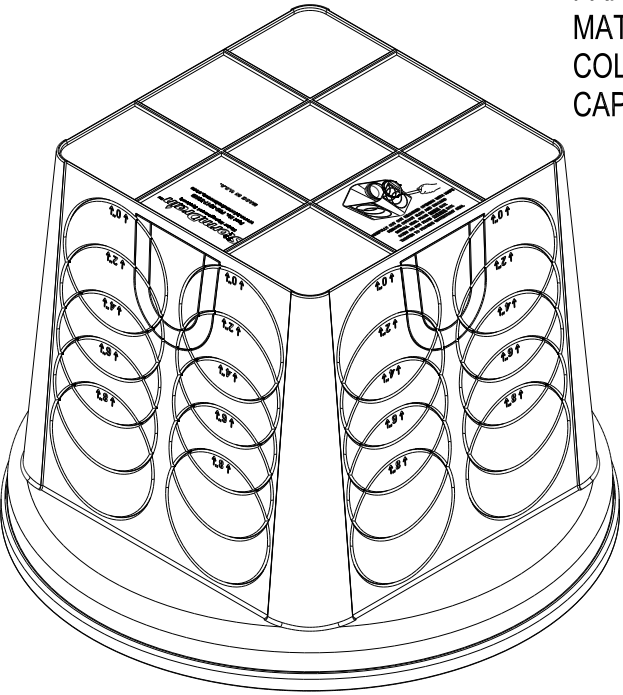


TOP VIEW



PART NO. FSD-3017-20HB
 MATERIAL - POLYPROPYLENE
 COLOR - BLACK
 CAPACITY - 14 GALLONS

BOX ACCEPTS:
 COVER - PART NO.-FSD-3017-C20
 GRATE - PART NO.-FSD-3017-G20B
 6" RISER - PART NO. FSD-3009



FRONT/SIDE VIEW

SIDE CUT OUT
 TO ACCEPT
 PRT. NO.FSD-3001
 TYP. 40 PLCS.

